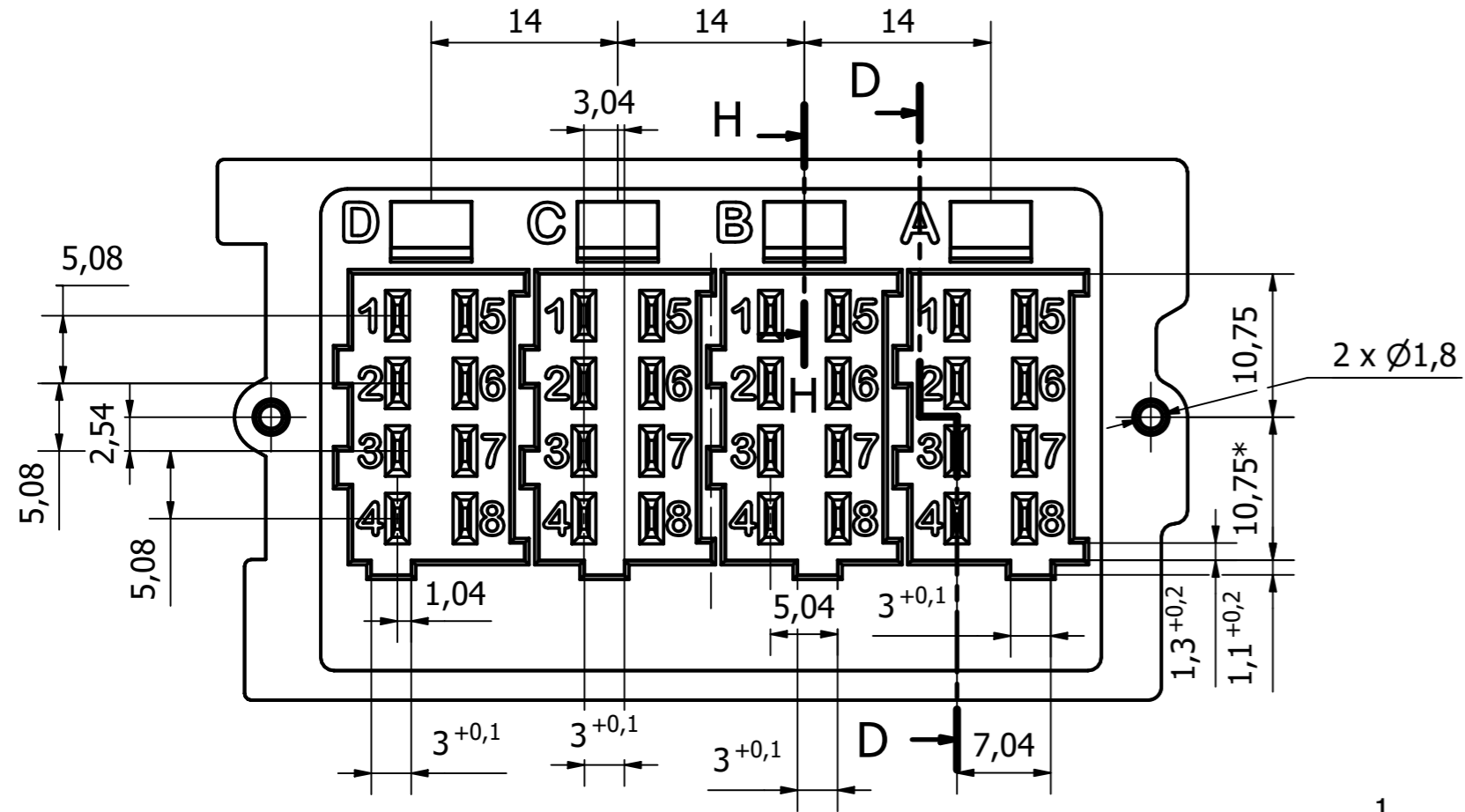
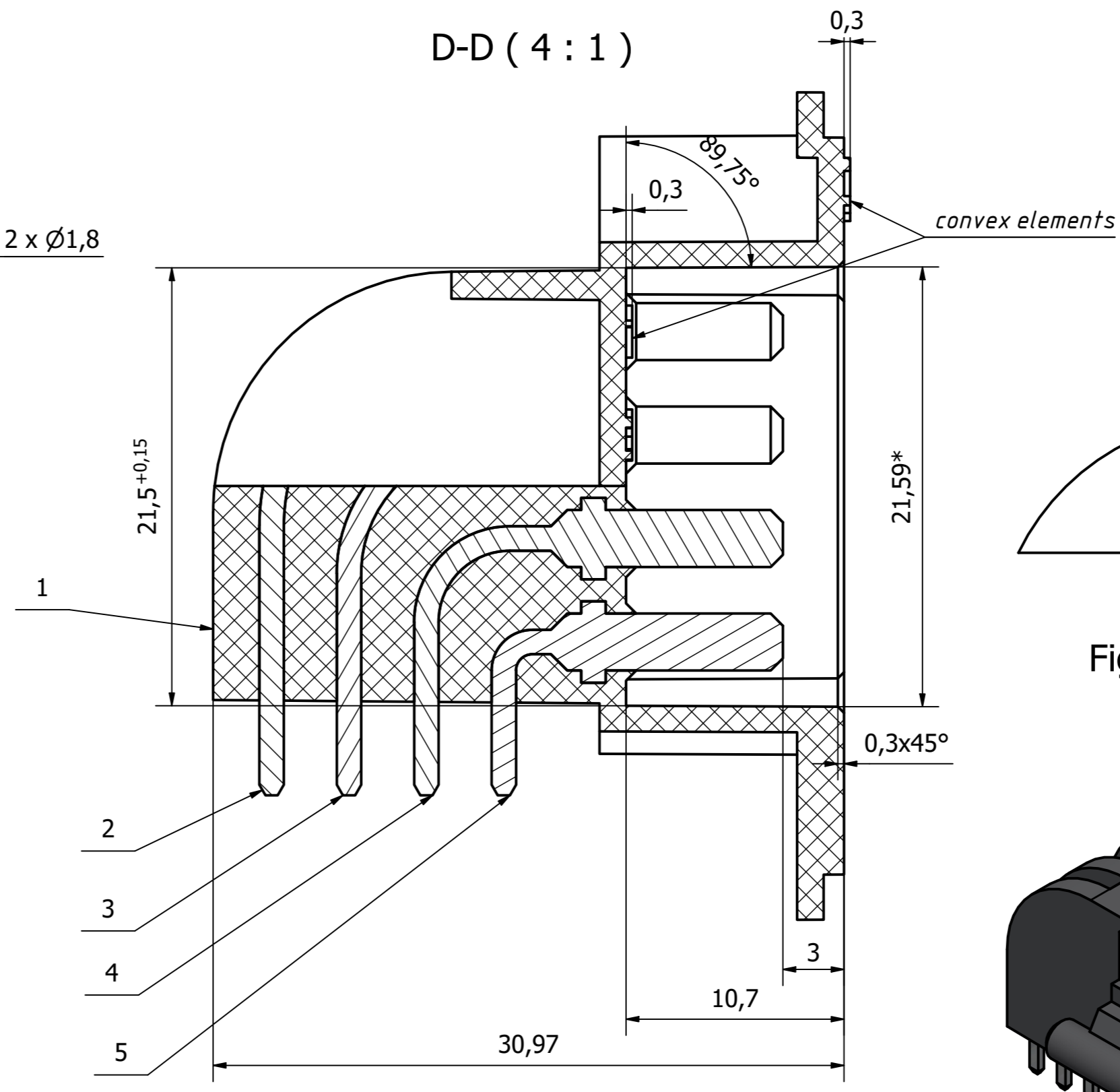


√ Ra 0,32 (√)

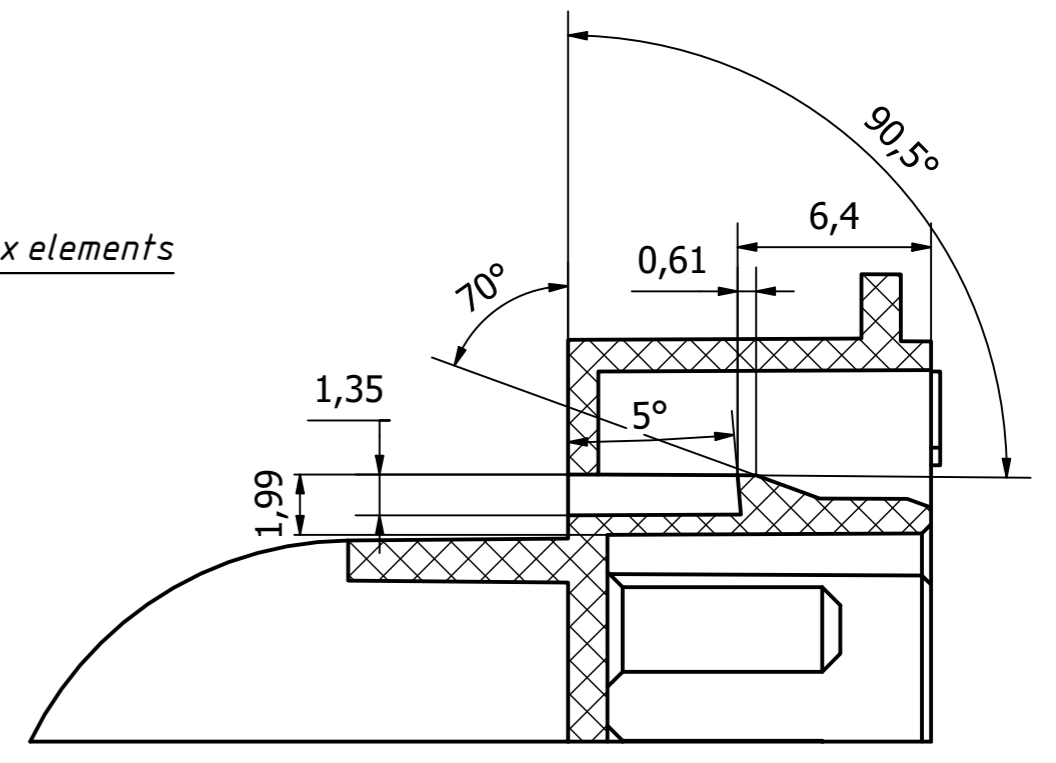
A (2 : 1)



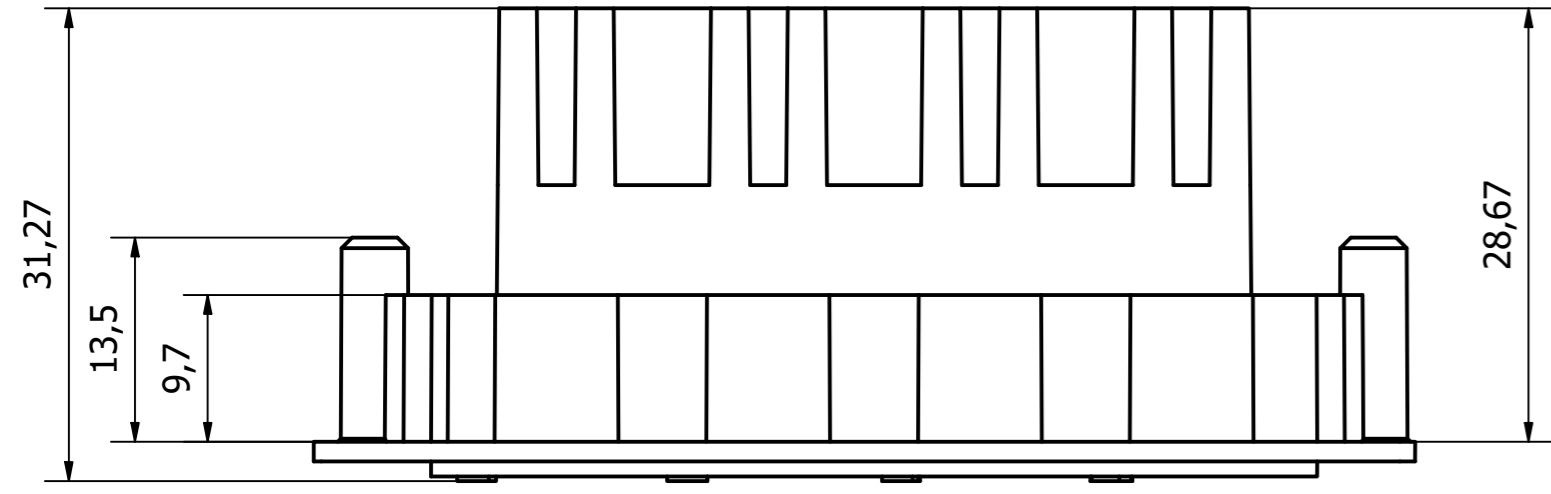
D-D (4 : 1)



H-H (4 : 1)



B (2 : 1)



C (2 : 1)

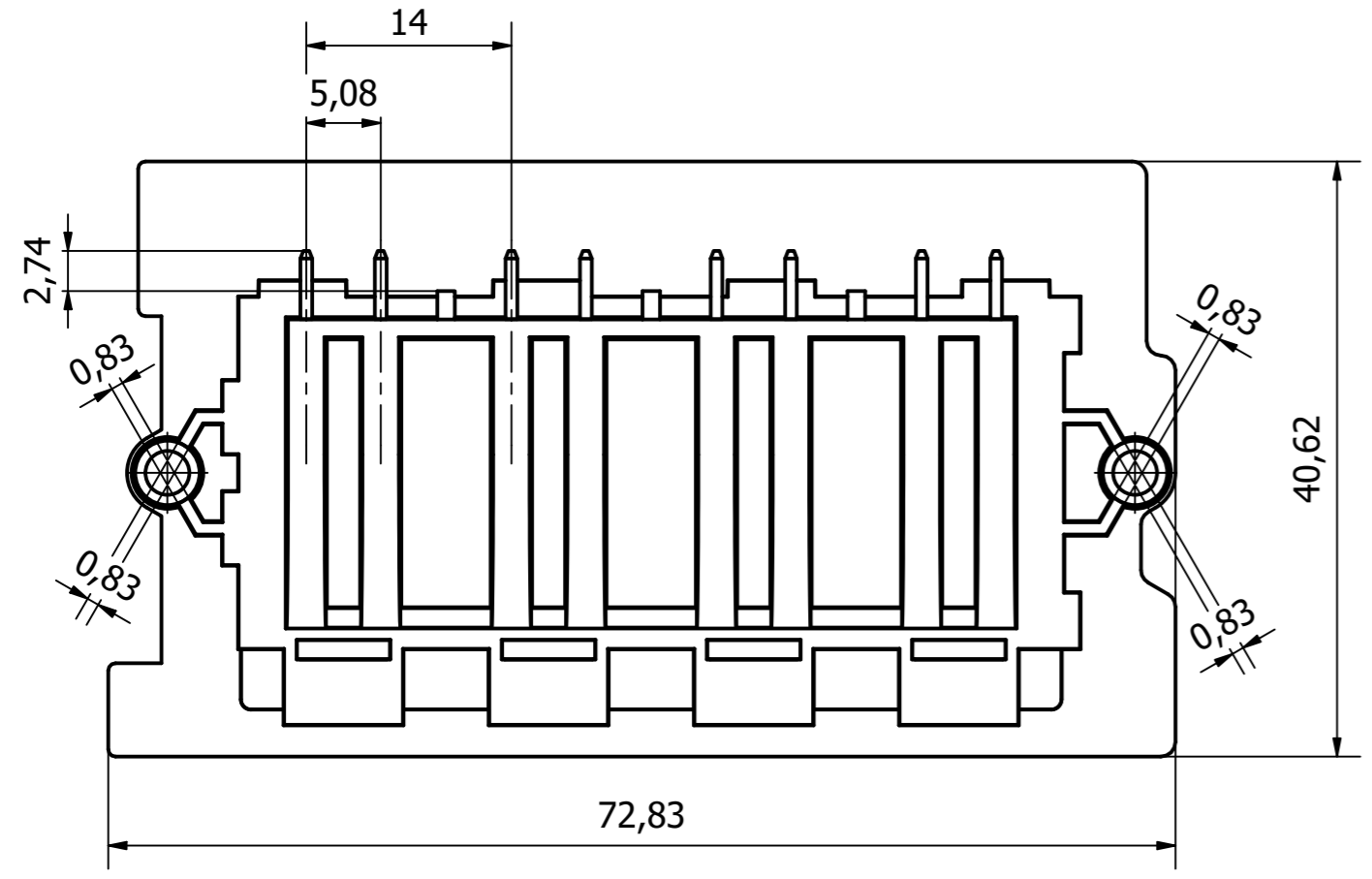
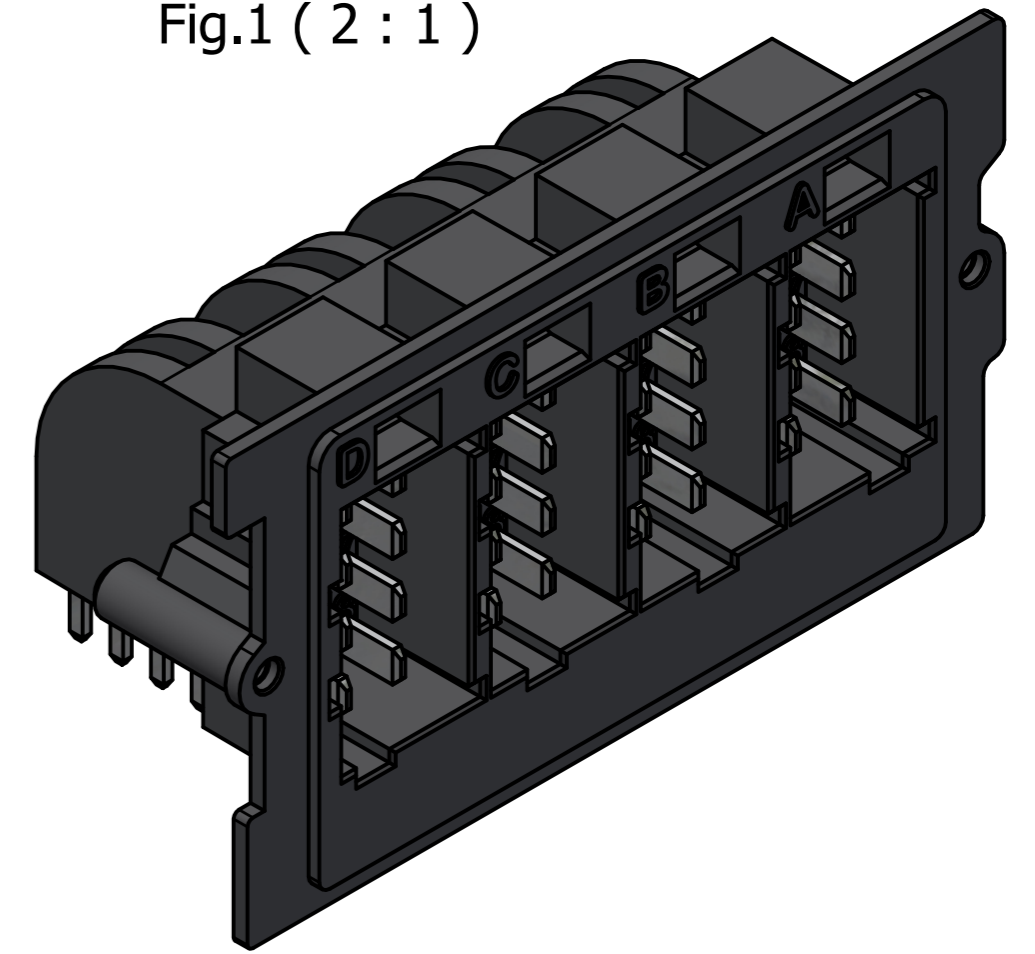


Fig.1 ( 2 : 1 )



1. \* Sizes for an information.
2. All dimentionations are in millimeters.
3. All sizes and surfaces forms should coincide with the 3D model TNMM24001.020.000\_ABCD connector\_R0.stp.
4. General tolerance ISO 2768 - f.
5. Material det. pos.1: PA66-GF20, color - RAL 9005.
6. All visible surfaces must be without any defects such as scratches, pulling-downs and bubbles.
7. The incongruity of outlines on a line of the plug 0.1max is admitted.

Parts List			
Pos	Qty	Part Number	Description
1	1	TNMM24001.020.005	ABCD connector
2	8	TNMF24001.020.010	Contact #1
3	8	TNMF24001.020.015	Contact #2
4	8	TNMF24001.020.020	Contact #3
5	8	TNMF24001.020.025	Contact #4

Разраб.	Пров.	Дата утв.	Дата	Дата	Масс
Харитонов				27.03.2013	Н/Д
ABCD connector					
TNMM24001.020.000				Редакция	Лист
				R0	1 / 1